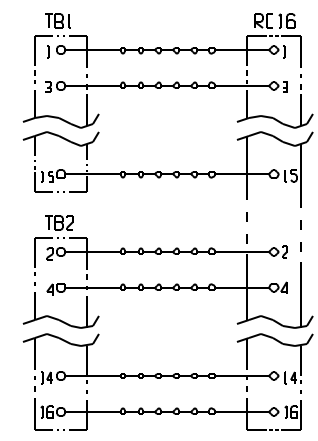
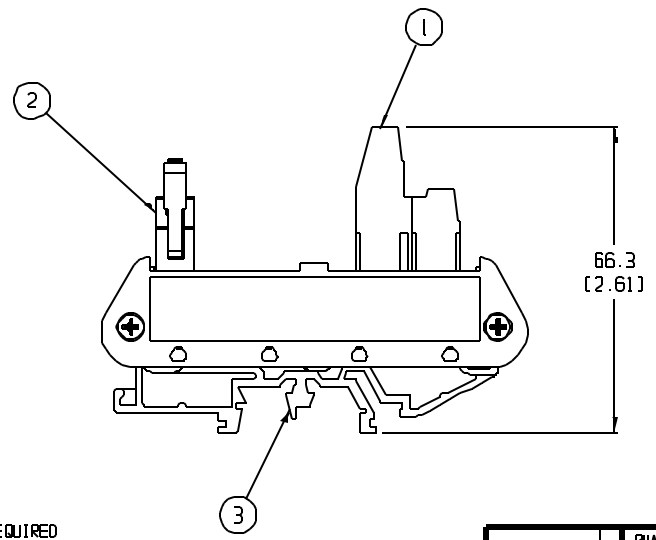


16 POSITION SHOWN

NO. OF CIRCUITS	DIM. "A"	MATERIAL NUMBER
14	50.8 [2.00]	39170-1014
16	53.3 [2.10]	39170-1016
20	61.0 [2.40]	39170-1020
26	76.2 [3.00]	39170-1026
34	95.0 [3.74]	39170-1034
40	111.5 [4.39]	39170-1040
50	135.6 [5.34]	39170-1050



- NOTES:
1. MATERIAL: SEE TABLE
 2. FINISHES: SEE TABLE
 3. PRODUCT SPECIFICATION: NOT REQUIRED
 4. PACKAGING: NOT REQUIRED
 5. MATES WITH: RIBBON CABLE

ITEM	QTY.	DESCRIPTION	MATERIAL	FINISH
3	2	DIN RAIL ADAPTOR UNIT	THERMOPLASTIC	BLACK
2	1	RIBBON CABLE TO 5.08 FIXED, PC BOARD ASSY.	-	-
1	1	5.08 FIXED DUAL LEVEL BTS	SEE SD-39880-006	BLACK

REF. NO.: DRAWN: CLY CHK.: APPR.: A	DESCRIPTION: MAJOR = CRITICAL = SPC = S	GENERAL TOLERANCES: (UNLESS SPECIFIED)		SCALE: 1:1	DESIGN UNITS: <input type="checkbox"/> mm <input checked="" type="checkbox"/> INCH	THIRD ANGLE PROJECTION	PROJECT NO. 06-010	
		4 PLACES ±.0015 INCH 3 PLACES ±.030 INCH 2 PLACES ±.13 INCH 1 PLACE ±.3 INCH	DRAWN BY & DATE: C. YORK (11-10-04)	CHECKED BY & DATE: APPROVED BY & DATE:	TITLE: DIN RAIL INTERFACE MODULE, RIBBON CABLE TO 5.08 FIXED EUROSTYLE TERMINAL BLOCK	DIMENSIONS: <input checked="" type="checkbox"/> mm <input type="checkbox"/> INCH <input type="checkbox"/> mm ONLY	SHEET REV: - REVISE ON CAD ONLY	
CAD FILENAME: SD-39170-005		MATERIAL NO. SEE CHART		DRAWING NO. SD-39170-005		SHEET NO. 1 OF 1		SIZE B

THIS DRAWING CONTAINS INFORMATION THAT IS PROPRIETARY TO MOLEX (INCORPORATED AND SHOULD NOT BE USED WITHOUT WRITTEN PERMISSION.)